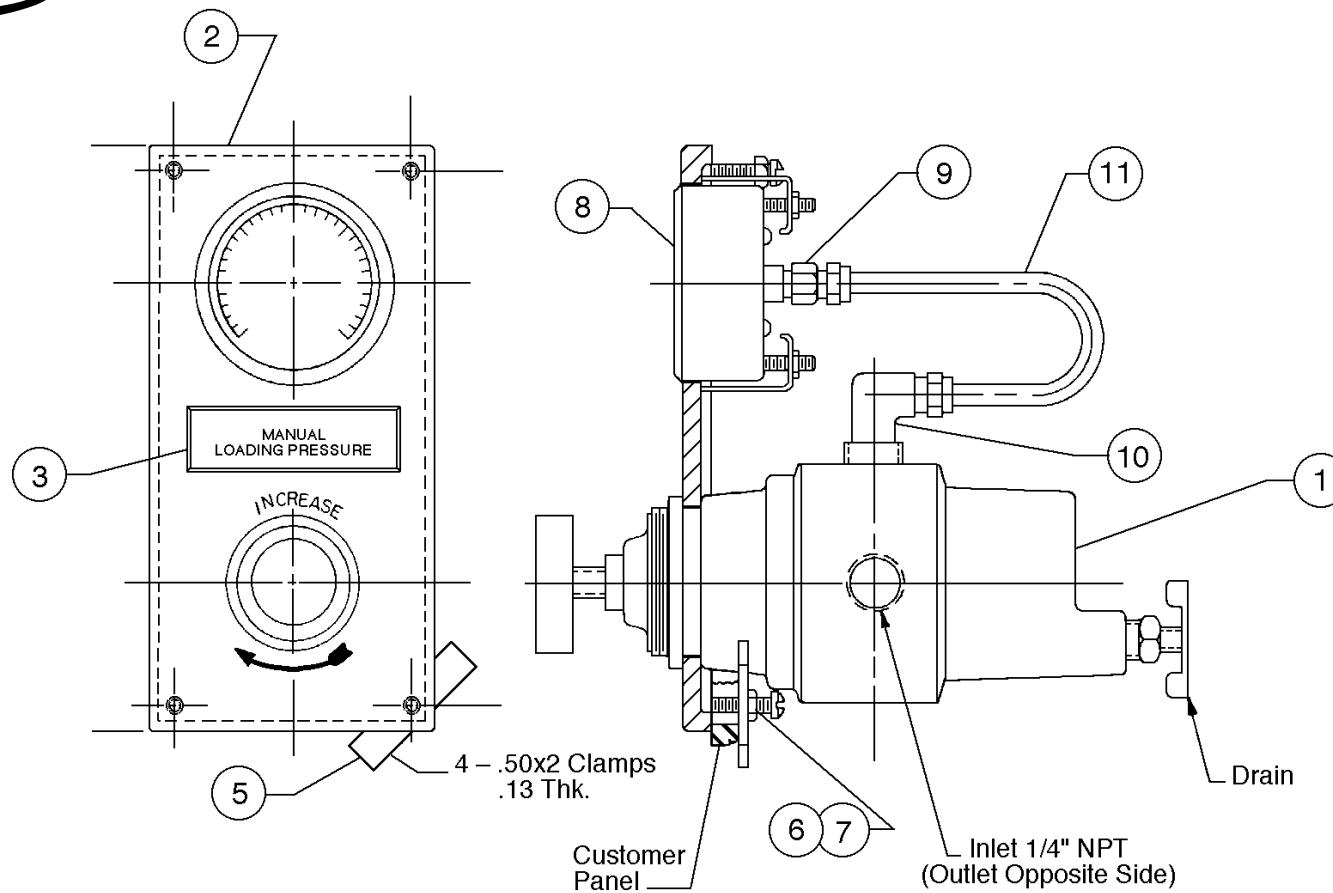




MODEL 5485 MANUAL LOADING STATION

Litho IOM-5485
10-01-99



ITEM #	DESCRIPTION
1	5100P Air Supply Regulator
2	Panel
3	Decal
5	Clamp
6	Fillister Head Screw
7	Hex. Nut
8	Gauge
9	Tube Fitting (Female Connector)
10	Tube Fitting (Elbow)
11	Tubing

Cashco, Inc.
P.O. Box 6
Ellsworth, KS 67439-0006
PH (785) 472-4461
Fax. # (785) 472-3539
Sales@Cashco.com OR Exportsales@Cashco.com
Printed in U.S.A. Litho IOM-5485

ISO 9001
Registered