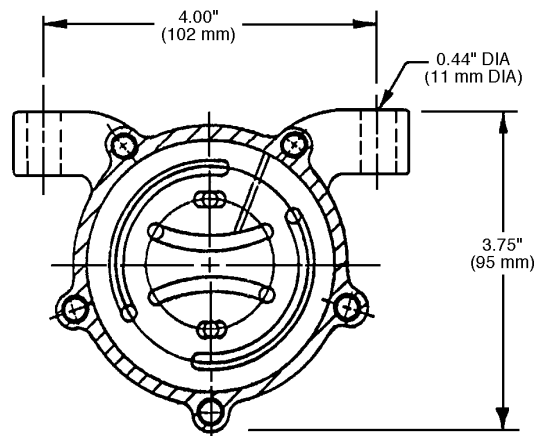
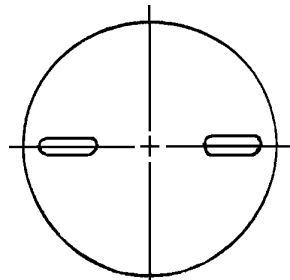
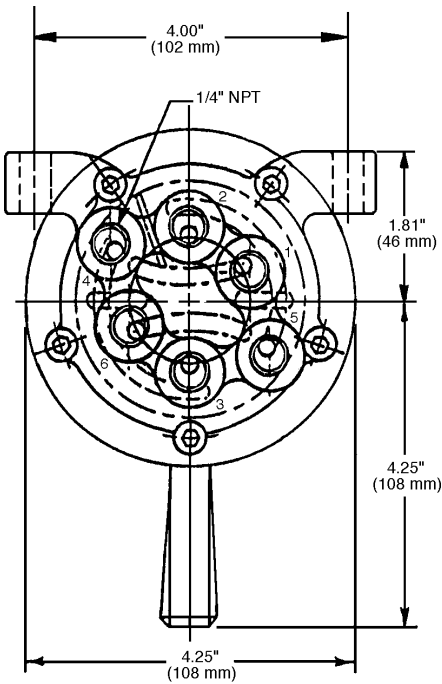
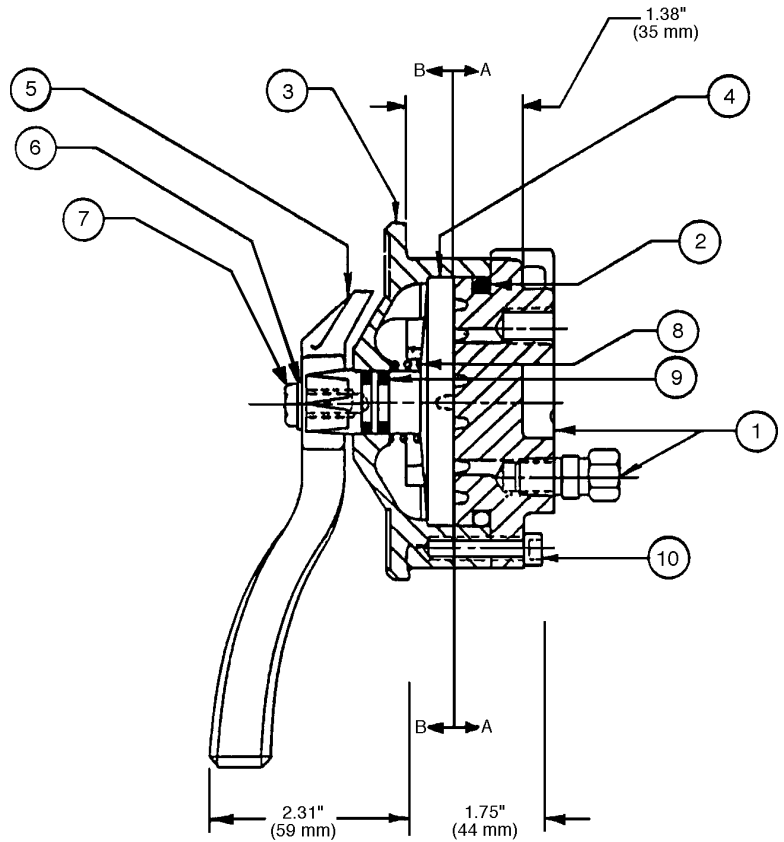
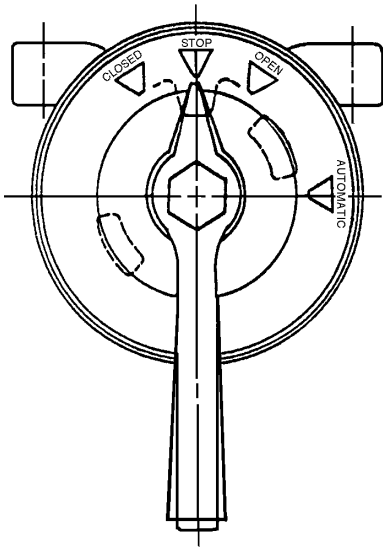




**TYPE 9430, HAND CONTROL VALVE - SURFACE MOUNT**



POSITION	INTERNAL PORT FLOW
AUTO	2-5; 3-4; 1 & 6 BLOCKED
STOP	ALL PORTS BLOCKED
CLOSED	1-4; 5-6; 2 & 3 BLOCKED
OPEN	1-5; 4-6; 2 & 3 BLOCKED

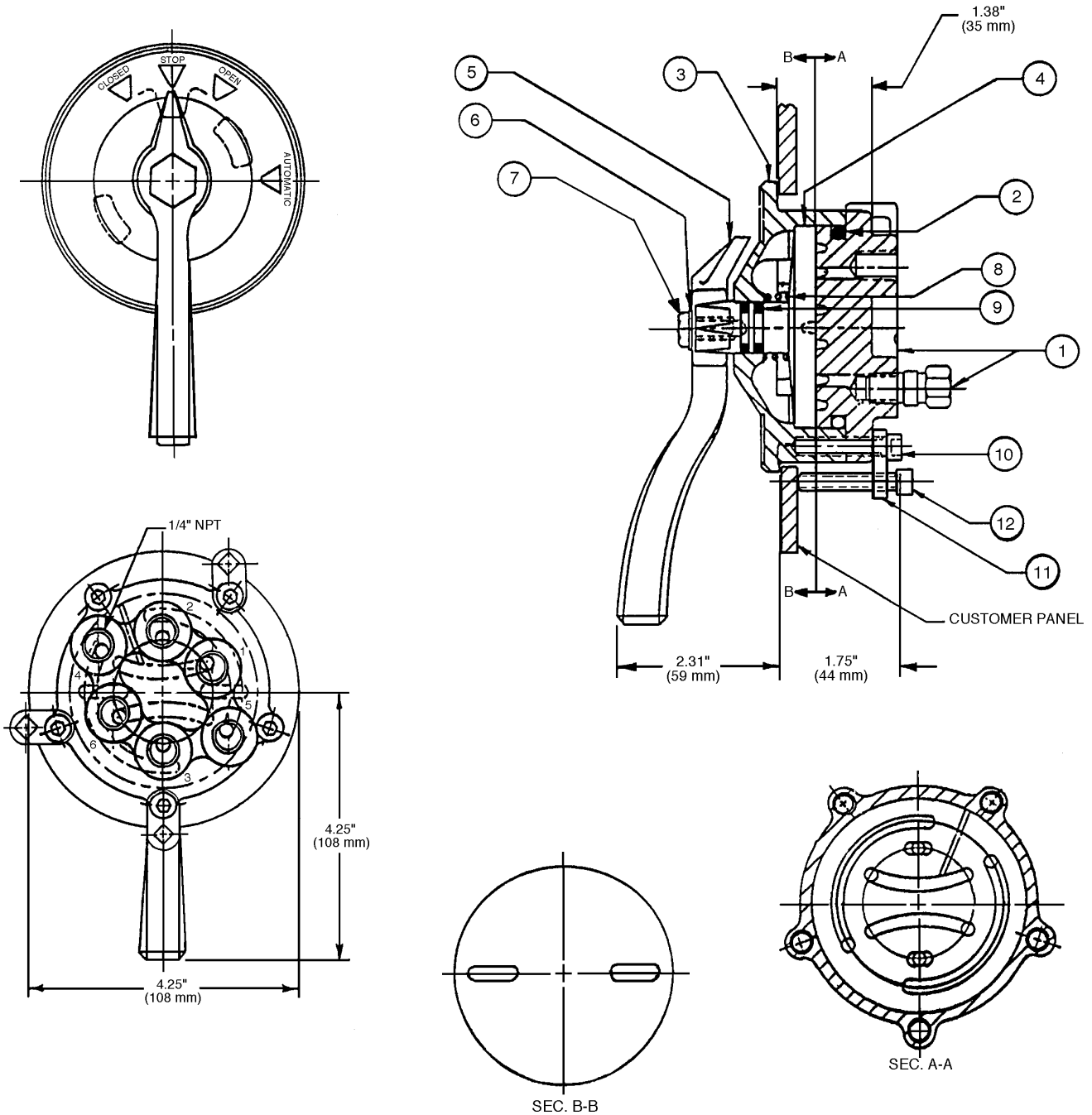
MAXIMUM PRESSURE 100 PSI

Cashco, Inc.  
P.O. Box 6  
Ellsworth, KS 67439-0006  
PH (785) 472-4461  
FAX (785) 472-3539  
E-mail: sales@cashco.com  
exportsales@cashco.com  
Printed in U.S.A. Model 9430

ISO 9001  
Registered



**TYPE 9430, HAND CONTROL VALVE - PANEL MOUNT**



POSITION	INTERNAL PORT FLOW
AUTO	2-5; 3-4; 1 & 6 BLOCKED
STOP	ALL PORTS BLOCKED
CLOSED	1-4; 5-6; 2 & 3 BLOCKED
OPEN	1-5; 4-6; 2 & 3 BLOCKED

MAXIMUM PRESSURE 100 PSI  
CUSTOMER PANEL HOLE DIA. 4.03 (102 mm)

Cashco, Inc.  
P.O. Box 6  
Ellsworth, KS 67439-0006  
PH (785) 472-4461  
FAX (785) 472-3539  
E-mail: sales@cashco.com  
exportsales@cashco.com  
Printed in U.S.A. Model 9430

ISO 9001  
Registered